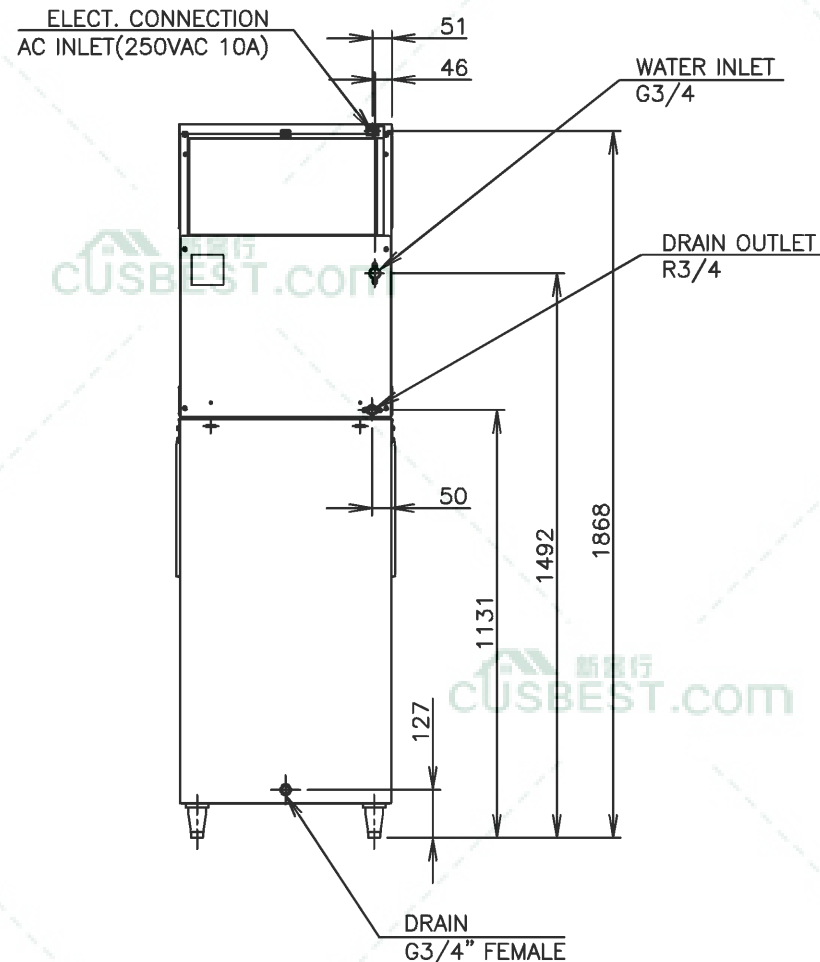
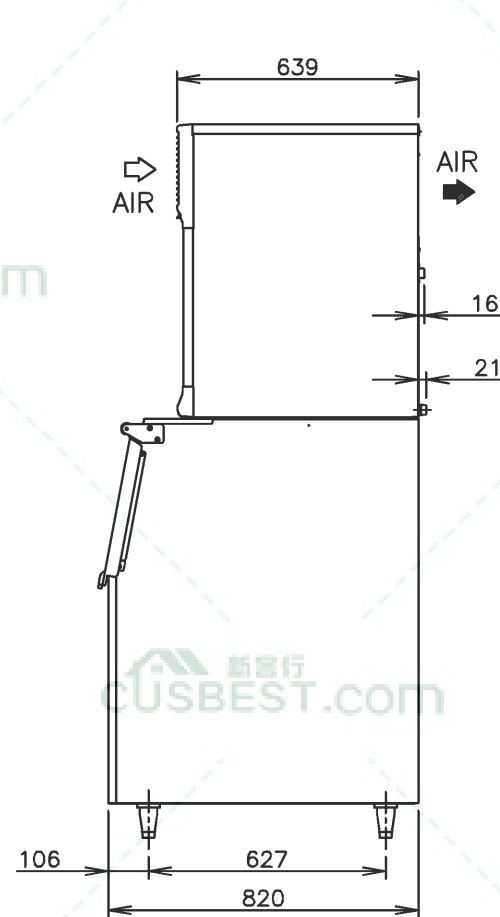
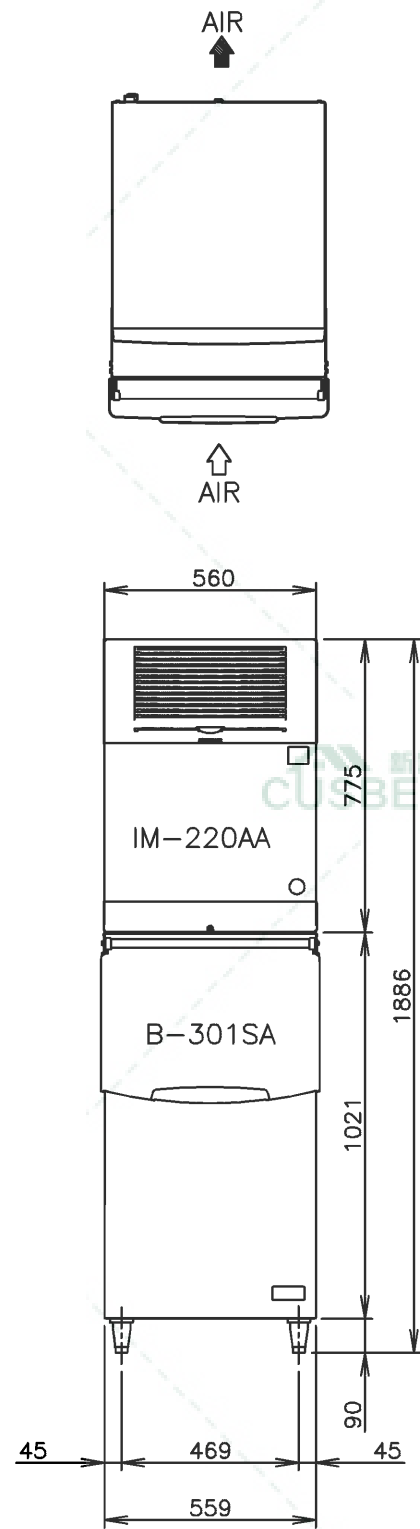


1. Install the ice maker properly in accordance with the instructions on location, water supply/drain connections and electrical connections stated in the instruction and installation manuals provided. Allow 10mm extra space at the installation site to meet any installation requirements (additional spacing is also required for proper air flow and pipe connections).
2. The ice production depends on the ambient and water temperatures. Refer to the instruction manual.
3. Product code: M028, G006

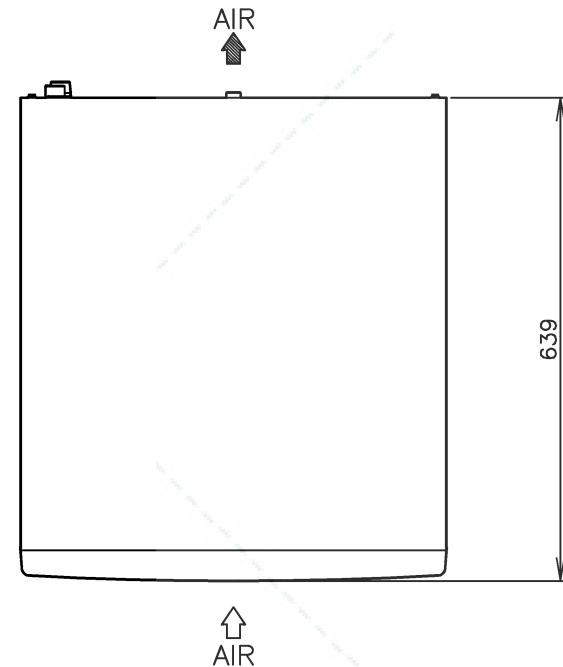
ITEM	Hoshizaki Cube Ice Maker	
MODEL	IM-220AA-B-301SA	
AC SUPPLY VOLTAGE	1 PHASE 220-240V 50Hz	
AMPERAGE	5.0A (AT.32°C, WT.21°C)	
STARTING AMPERAGE	24A	
ELECTRIC CONSUMPTION	950W (AT.32°C, WT.21°C)	
POWER FACTOR	82%	
POWER SUPPLY CAPACITY	Min. 1.51KVA (6.6A)	
ICE PRODUCTION PER 24h	Approx. 190(5mm)/220(15mm)kg (AT.10°C, WT.10°C) Approx. 180(5mm)/200(15mm)kg (AT.21°C, WT.15°C) Approx. 160(5mm)/175(15mm)kg (AT.32°C, WT.21°C)	
WATER CONSUMPTION PER 24h	Approx. 0.62m ³ (AT.10°C, WT.10°C) Approx. 0.31m ³ (AT.21°C, WT.15°C) Approx. 0.27m ³ (AT.32°C, WT.21°C)	
SHAPE OF ICE	Cube Approx. 28×28×23mm	
FREEZE CYCLE TIME	Approx. 23min (AT.21°C, WT.15°C)	
ICE PRODUCTION PER CYCLE	Approx. 3.2kg/140.pcs (AT.21°C, WT.15°C)	
MAX STORAGE CAPACITY	Approx. 118kg Maximum 144kg	
DIMENSIONS	560mm(W)×820mm(D)×1886mm(H)	
EXTERIOR	Stainless Steel	
BIN	EXTERIOR Stainless Steel, Galvanized Steel(Rear) INTERIOR Polyethylene Plastic Door	
INSULATION FOAM BLOWING AGENT	Cyclopentane/CFC Free/ODP: 0/GWP: 3	
CONNECTIONS-ELECTRIC	X-Type Connection	
CONNECTIONS-WATER SUPPLY	Inlet G3/4 (connected at rear side)	
CONNECTIONS-DRAIN	Outlet R3/4 (connected at rear side)	
ICE MAKING SYSTEM	Cell type	
HARVESTING SYSTEM	Hot Gas Defrost	
COMPRESSOR	Hermetic	
CONDENSER	Air-cooled, Fin and Tube type	
HEAT REJECTION	2290W(1970kcal/h) (AT.32°C, WT.21°C)	
EVAPORATOR	Tin-plated Copper Tube on Sheet and Cells	
REFRIGERANT CONTROL	Thermostatic Expansion Valve	
REFRIGERANT CHARGE	R404A/500g	
ICE MAKING CONTROL SYSTEM	Thermistor, Timer	
HARVESTING CONTROL SYSTEM	Thermistor	
BIN CONTROL SYSTEM	Microswitch with Time Delay	
ICE MAKING WATER CONTROL SYSTEM	Timer, Water Pan's movement	
ELECTRICAL PROTECTION	Class I Appliance, 5A Fuse	
COMPRESSOR PROTECTION	Auto-reset Overload Protector	
ICE MAKER PROTECTION	Interlock by Controller Board	
WEIGHT	ICE MAKER: Net weight 69kg/Gross weight 76kg BIN: Net weight 37kg/Gross weight 49kg	
ACCESSORIES	Scoop, Leg(4 pcs), Installation Kit	
OPERATING CONDITIONS	Ambient Temp.: 1 - 40° C, Water Supply Temp.: 5-35°C Water Supply Pressure: 0.7-7.8bar(0.07-0.78MPa), Voltage Range: Rated Voltage±6%	

* We reserve the right to make changes in specifications and design without prior notice.



HOSHIZAKI CUBE ICE MAKER IM-220AA-B-301SA

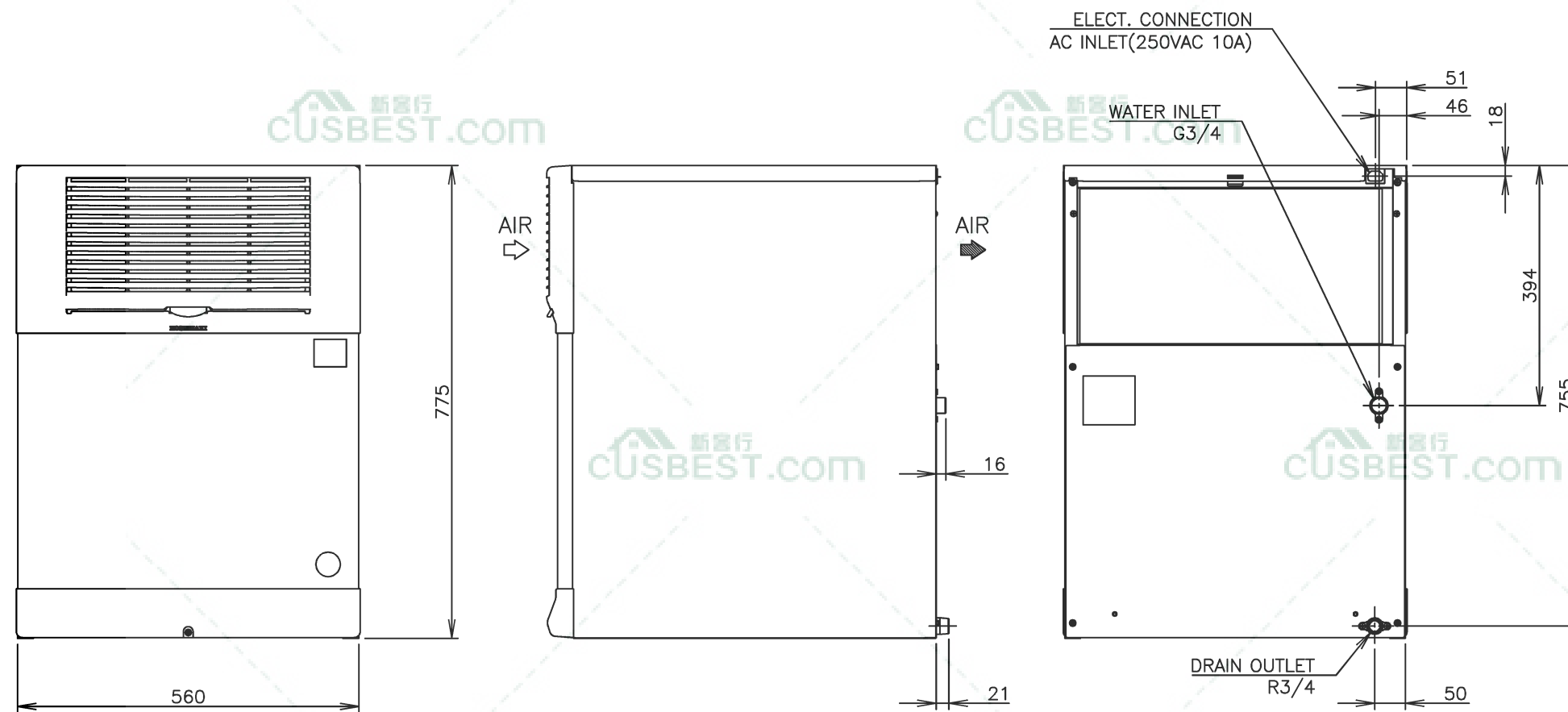
APPROVED YOSHIDA	CHECKED YAMAGUCHI	DESIGNED KONDO	DRAWN WATANABE	SCALE 1/20	TRIGONOMETRY
KUROYANAGI APPROVED	UEDA DESIGNED	2013.06.06 DATE	2012.03.27 DATE	D11272 DRAWING NO.	2 SYMBOL



1. Install the product properly in accordance with the instructions on location, water supply/drain connections and electrical connections stated in the instruction and installation manuals provided. Allow 10mm extra space at the installation site to meet any installation requirements (additional spacing is also required for proper air flow and pipe connections).
2. The ice production depends on the ambient and water temperatures. Refer to the instruction manual.
3. Product Code: M028-C104

ITEM	Hoshizaki Cube Ice Maker	
MODEL	IM-220AA-23	
AC SUPPLY VOLTAGE	1 PHASE 220-240V 50Hz	
AMPERAGE	5.0A (AT.32°C, WT.21°C)	
STARTING AMPERAGE	24A	
ELECTRIC CONSUMPTION	950W (AT.32°C, WT.21°C)	
POWER FACTOR	82%	
POWER SUPPLY CAPACITY	Min. 1.51KVA (6.6A)	
ICE PRODUCTION PER 24h	Approx. 170kg(5mm)/185kg(15mm) (AT.10°C, WT.10°C)	
	Approx. 145kg(5mm)/170kg(15mm) (AT.21°C, WT.15°C)	
	Approx. 130kg(5mm)/155kg(15mm) (AT.32°C, WT.21°C)	
WATER CONSUMPTION PER 24h	Approx. 0.35m ³ (AT.10°C, WT.10°C)	
	Approx. 0.31m ³ (AT.21°C, WT.15°C)	
	Approx. 0.27m ³ (AT.32°C, WT.21°C)	
SHAPE OF ICE	Cube Approx. 28×28×23mm	
FREEZE CYCLE TIME	Approx. 23min (AT.21°C, WT.15°C)	
ICE PRODUCTION PER CYCLE	Approx. 2.38kg/140.pcs (AT.21°C, WT.15°C)	
DIMENSIONS	560mm(W) x 639mm(D) x 775mm(H)	
EXTERIOR	Stainless Steel	
CONNECTIONS-ELECTRIC	X-Type Connection	
CONNECTIONS-WATER SUPPLY	Inlet G3/4 (connected at rear side)	
CONNECTIONS-DRAIN	Outlet R3/4 (connected at rear side)	
ICE MAKING SYSTEM	Cell type	
HARVESTING SYSTEM	Hot Gas Defrost	
COMPRESSOR	Hermetic	
CONDENSER	Air-cooled, Fin and Tube type	
HEAT REJECTION	2290W(1970kcal/h) (AT.32°C, WT.21°C)	
EVAPORATOR	Tin-plated Copper Tube on Sheet and Cells	
REFRIGERANT CONTROL	Thermostatic Expansion Valve	
REFRIGERANT CHARGE	R404A/500g	
ICE MAKING CONTROL SYSTEM	Thermistor, Timer	Controller Board
HARVESTING CONTROL SYSTEM	Thermistor	
BIN CONTROL SYSTEM	Microswitch with Time Delay	
ICE MAKING WATER CONTROL SYSTEM	Timer, Water Pan's movement	
ELECTRICAL PROTECTION	Class I Appliance, 5A Fuse	
COMPRESSOR PROTECTION	Auto-reset Overload Protector (Internal)	
ICE MAKER PROTECTION	Interlock by Controller Board	
WEIGHT	Net weight 69kg/Gross weight 76kg	
PACKAGE	Carton 644mm(W) x 728mm(D) x 883mm(H)	
ACCESSORIES	Installation Kit	
OPERATING CONDITIONS	Ambient Temp.: 1 - 40°C, Water Supply Temp.: 5-35°C	
	Water Supply Pressure: 0.7-7.8bar(0.07-0.78MPa), Voltage Range: Rated Voltage±6%	

* We reserve the right to make changes in specifications and design without prior notice.



HOSHIZAKI CUBE ICE MAKER IM-220AA-23

APPROVED KUROYANAGI	CHECKED MORIMOTO	DESIGNED OHTA	DRAWN WATANABE	SCALE 1/10	TRIGONOMETRY
*	*	△	****	DATE 2014.09.17	DRAWING NO. D15112
APPROVED	DESIGNED	SYMBOL	DATE		SYMBOL △